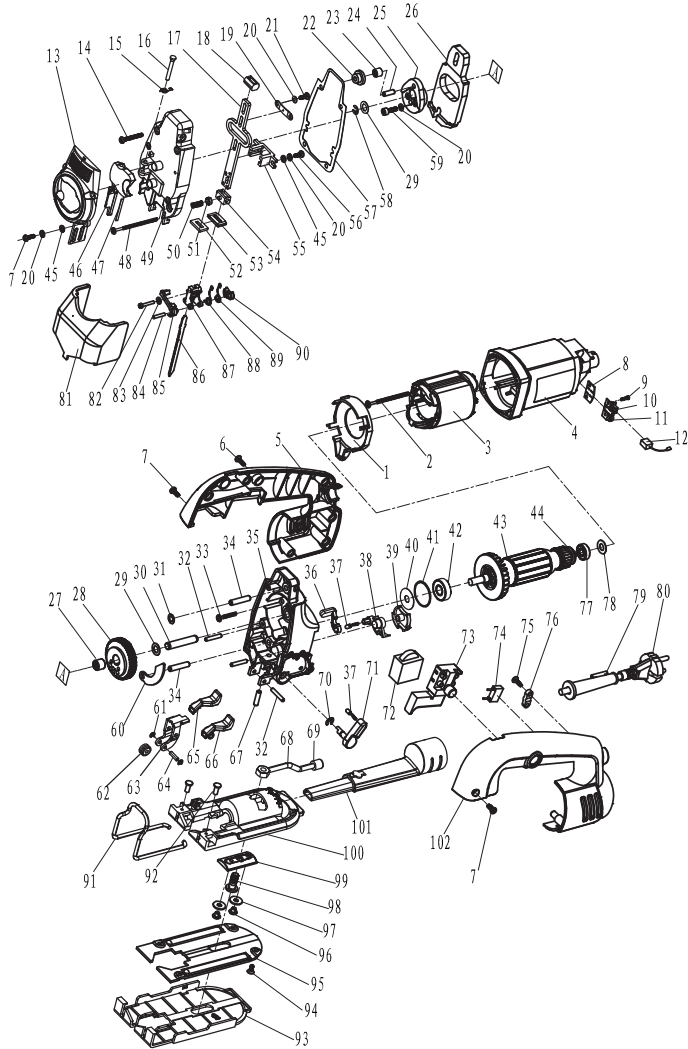


EXPLODED VIEW



SPARE PART LIST

PART NO.	DESCRIPTION	QUANTITY	
1	Wind Guard	1	0,06
2	Screw ST4.2x60	2	0,02
3	Stator 1	3,39	
4	Housing 1	0,75	
5	Right Rear Handle 1	0,75	
6	Screw ST4.2x16	7	0,01
7	Screw ST4.2x14	6	0,01
8	Heat Insulation Plate	2	0,04
9	Screw ST2.9x10	4	0,01
10	Brush Holder	2	0,1
11	Electric Spring	2	0,08

12	Carbon Brush	2	0,26		
13	Front Cover	1	0,35		
14	Screw M4X28	2	0,01		
15	Spring for Blade Latch	1		0,04	
16	Movable Pin	1	0,04		
17	Reciprocating Pole	1	0,27		
18	Upper Guide Bushing	1		0,33	
19	Upper Guide Bushing Presser	1		0,01	
20	Spring Washer 4	10	0,01		
21	Screw M4x10	2	0,01		
22	Transmission Roller	1	0,22		
23	Needle Bearing	1	0,07		
24	Pin Ø5X15	1	0,03		
25	Transmission Wheel	1		0,91	
26	Balance Block	1	1,75		
27	Needle Bearing	1	0,23		
28	Wheel Gear	1	2,93		
29	Gear Washer $\Phi 8.2 \times \Phi 14.5 \times 0.5$			2	0,01
30	Gear shaft	1	0,15		
31	Washer $\Phi 12 \times \Phi 6.3 \times 0.5$	1		0,06	
32	Pin Ø4X24	3	0,03		
33	Screw ST4.2x25	2	0,01		
34	Pin Ø6X30	1	0,04		
35	Gear Box Assy	1	2,18		
36	Air Control Dial Button	1		0,04	
37	Iron cap	2	0,01		
	Circlip 4	2	0,01		
	Steel ball S $\Phi 2.5$	2	0,01		
38	Air Adjust Block	1	0,05		
39	Blower Seat	1	0,05		
40	Paper Washer	1	0,02		
41	Rectangular circle $\Phi 26 \times \Phi 29 \times 3$			1	0,14
42	Bearing 6000	1	0,76		
43	Rotor	1	4,79		
44	Anti-dust Ring	1	0,01		
45	Flat Washer $\Phi 4$	2	0,01		
46	Blade Latch	1	0,14		
47	Blade Latch Wedge	1	0,01		
48	Screw ST4.2x65	2	0,02		
49	Transmission Box	1	1,06		
50	Lower Guide Bushing Spring	1		0,02	
51	Lower Guide Bushing Washer			1	0,03
52	Square Oil-proof Ring	1	0,02		
53	Square Oil-proof Ring Holder	1	0,02		
54	Lower Guide Bushing	1	0,62		
55	Lower Guide Bushing Presser	1	0,66		
56	Screw M4x12	2	0,01		
57	Paper Ring	1	0,14		
58	Circlip $\Phi 6$	1	0,01		
59	Screw M4x20	2	0,02		
60	Lifts Guide Ledge	1	0,02		
61	Circlip $\Phi 32$	1	0,01		
62	Guide Wheel	1	0,12		
63	Guide Wheel Holder	1		0,11	
64	Guide Wheel Pin	1	0,06		

65	Left Wind Blower	1	0,03	
66	Right Wind Blower	1	0,03	
67	Pin Ø5x20.4	1	0,03	
68	Show Lever	1	0,36	
69	Show Lever Sleeve	1	0,03	
70	Circlip 4	1	0,01	
71	Pendulum Lever	1	0,37	
72	Speed controller	1	1,51	
73	Switch	1	0,73	
74	Capacitor	1	0,1	
75	Screw ST4.2×14	2	0,01	
76	Cable Clamp	1	0,13	
77	Bearing 607	1	0,27	
78	Bearing sleeve	1	0,02	
79	Cable protector	1	0,04	
80	Cable and plug	1	1,86	
81	Dust Protector	1	0,17	
82	Screw M3×18	2	0,02	
83	Spring Washer Φ3	2	0,01	
84	Flexible Pin	1	0,17	
85	Left Blade Holder	1	0,97	
86	Saw Blade 100.3	1	0,12	
	Saw Blade 76.3	1	0,37	
87	Clip Blade	1	1,04	
88	Left Torsional Spring	1		0,06
89	Right Torsional Spring	1		0,06
90	Right Blade Holder	1	0,47	
91	Steel Wire Bracket	1	0,2	
92	Fixing Screw Nut	2	0,04	
93	Anti-Scratch Shoe Cover	1		0,18
94	Screw M4×10	4	0,01	
95	Bottom Plate	1	0,47	
96	Screw M5×10	2	0,01	
97	Washer Φ7×Φ18×2	2	0,06	
98	Locking Screw	1	0,08	
99	Bevel Angle Adjust Block	1		0,37
100	Base Plate	1	1	
101	Dust Extraction Tube	1		0,14
102	Left Rear Handle	1	0,75	
103	Scale	1	0,35	